



Jelstima projekt d.o.o.

Address: *Tomaševa 14.*
10 000 Zagreb

Tel./fax.: *01 28 53 429*

Mob: *099 28 53 429*

Bank: *Zagrebačka banka d.d.*

No. Bank account: *2360000-1102248949*

IBAN: *HR8423600001102248949*

OIB: *94724722249*

MB: *02487985*

Introduction



Ownership structure:

- "Jelstima project" doo was established in 2009
- 100% in private ownership

Activities of the company:

- Manufacturing activities: design and development of technical documentation
- The production from different kind of materials: steel, aluminum and stainless steel
- Service assembly and disassembly of structures

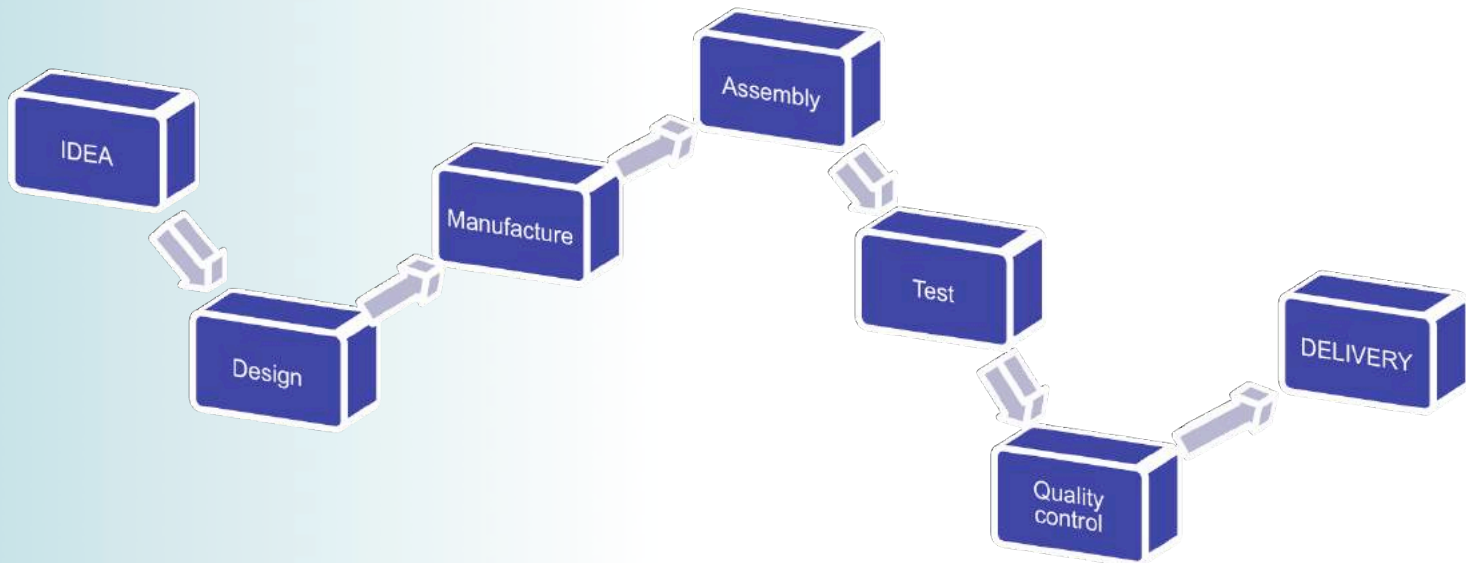
Production line:

- The production plant located in Sestovski Kraljevcu approx. 500 m²
- In addition to this, company used two locations that are used for montage and other support activities (200 m² and 350 m²)
- Currently the company is in the phase of consideration of location which will be used from year 2017 on, to build a new production facility (the size of the planned construction of the first phase would be a 1,000 m² - production area)
- The company is in the process of obtaining the ISO 9001 standard
- This year the firm is approaching a value close to 1,000,000.00 € of turnover, which was achieved on the domestic (60%) as well as foreign market (40%)
- The company has approximately 30 employees (manufacturing, montages and terrain).

Services



- ✓ Design and production of technical documentation
- ✓ Production of metal structures
- ✓ Cabinets of different intention made of steel, aluminum or stainless steel
- ✓ Fences made of steel, aluminum, stainless steel
- ✓ Safety facilities and equipment
- ✓ Advertising panels and columns
- ✓ Production of metal parts
- ✓ Different metal products



Machinery equipment



We have our own machine park:

- ✓ Plasma cutting machine Hyperterm HPR130 panel 1,5x3m
- ✓ Punching machine Amada Arcade 210
- ✓ Hidraulic Bender Adira 25t, 1,25m
- ✓ Hidraulic Bender Adira 150t, 3m
- ✓ Universal punching machine LVD Geka Hydracop 70/SD
- ✓ Hydraulic Shears MVD 3m, up to 6mm
- ✓ Hydraulic Shears Knuth 3m, up to 8mm
- ✓ Rollers for bending sheet metal, 3 cilinder, 2m
- ✓ Eccentric press 16t
- ✓ Driling Machines
- ✓ Band Saws for diferent materials
- ✓ Machine condensing surfacing screw
- ✓ Hydraulic benders for tubes
- ✓ Classical machining: lathes, miling machines and grinder planned
- ✓ CNC Milling Machine
- ✓ Welding Machines TIG, MIG / MAG, REL

We can also offer the following treatment:

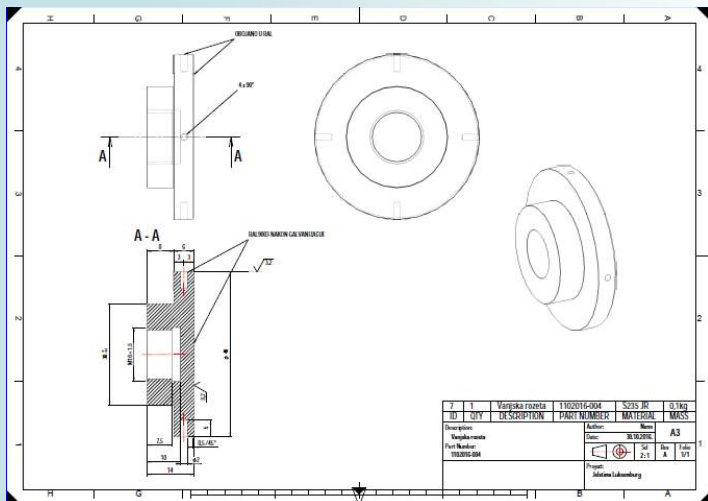
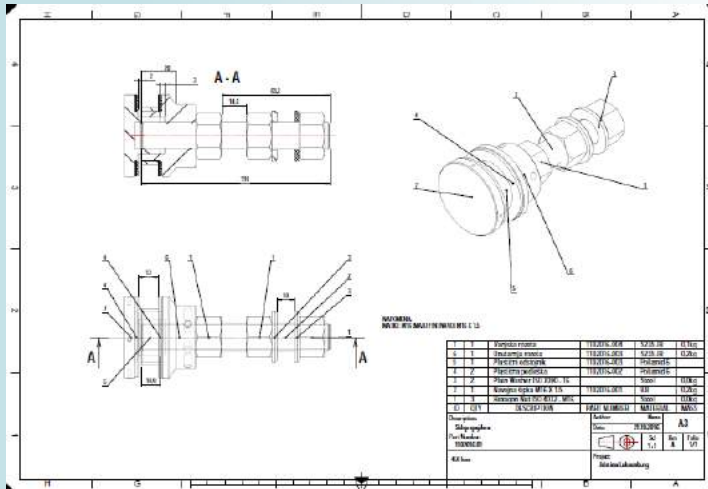
- ✓ Machining of small and large format
- ✓ Laser cutting of sheet metal
- ✓ Precise handling and grinding plates after cutting
- ✓ Water jet cutting



Design and production of technical documentation



- ✓ Development of project and working documentation in ACAD, Solidworks, Catia ...
- ✓ Visualization of the final solution in 3D



Production of metal structures



- ✓ Production of construction steel, stainless steel, aluminum and other materials
- ✓ All welding work performed by certified welders with certificates for actions: REL, TIG and MIG / MAG



Cabinets of different intentions



Creating different containers for different purposes:

- ✓ Transport
- ✓ Storage

Materials used: aluminum, stainless steel or various types of steel with different types of finishes and corrosion protection safeguards (galvanizing, painting, powder coating)



Fences



Creating different types of fences:

- ✓ Wrought iron fences
- ✓ aluminum
- ✓ Inox
- ✓ Galvanized, powder coated and painted - steel fence



Safety facilities and belonging equipment



Billboards and totems



Metal position (mechanical processing)



Different metal products



Customer



SIEMENS



**BOUYGUES
CONSTRUCTION**

KONČAR



actif[®]
signal



ALstef

